



Remote / At-Home Production over IP.

Deliver multi-camera feeds from remote location to the studio.

JVC Professional camcorders feature built-in streaming encoders with LAN/Wi-Fi connectivity to provide broadcast-quality Video-over-IP directly from the camera, no additional backpacks or encoders needed.

GY-HC550

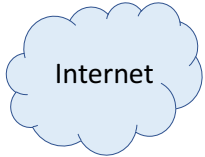


GY-HC900



Wi-Fi

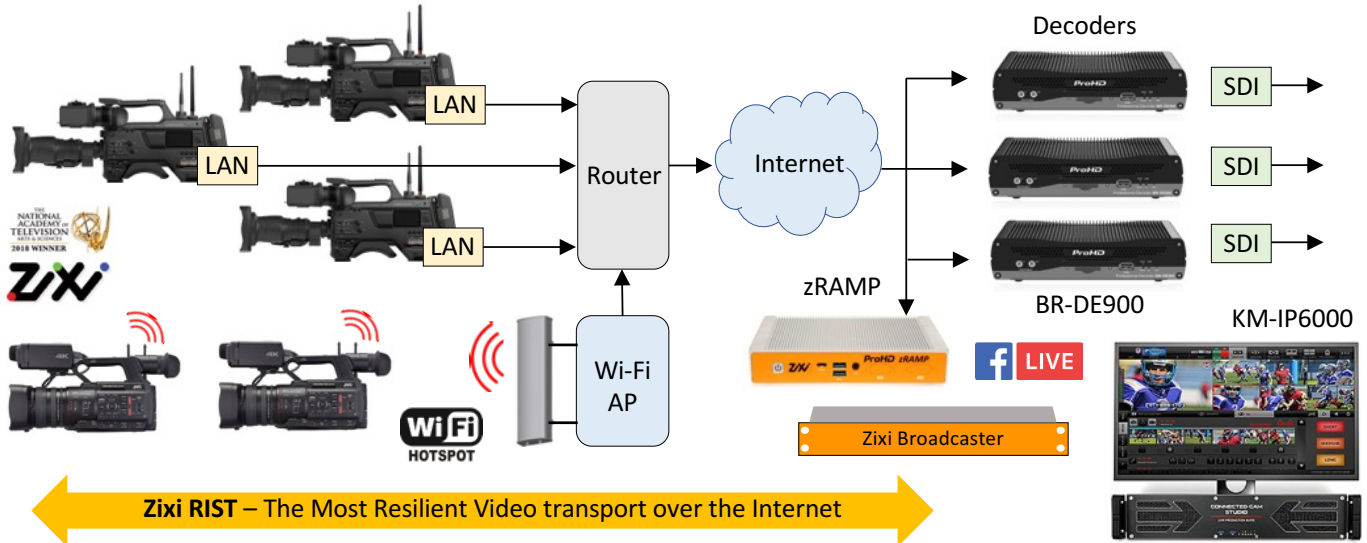
LAN



Model	Sensor	Lens	Recording	Video-over-IP	Protocols	Error Correction
GY-HC900	3 x 2/3" CMOS	B4 mount	10-bit 4:2:2	1080 60p up to 24 Mbps H.264	UDP, RTP, RTMP, RTSP, Zixi RIST	SMPTE 2022 Zixi RIST
GY-HC550	1" CMOS	24x Zoom				

Workflow:

When the broadband Internet connection is available on location and at the studio, the workflow is simply connecting camera LAN to the router or using built-in camera Wi-Fi for wireless connectivity. The BR-DE900 decoders placed at the studio will provide the HD-SDI/HDMI outputs for video switcher.



The IP Video Servers zRAMP and Zixi Broadcaster support Zixi RIST error correction which includes FEC, ARQ, and Adaptive Bitrate. IP Stream routing allows "one-to-one" and "one-to-many" streaming for simultaneous output to multiple CDNs, decoders and IP Video switchers (ProHD Studio, vMix, etc.)

Multiple streams synchronization:

TC sync:

- TC in/out
- GPS UTC
- NTP



TC is embedded in the SEI packet of H.264 stream

UDP/RTP/Zixi

TC 01:00:02:22

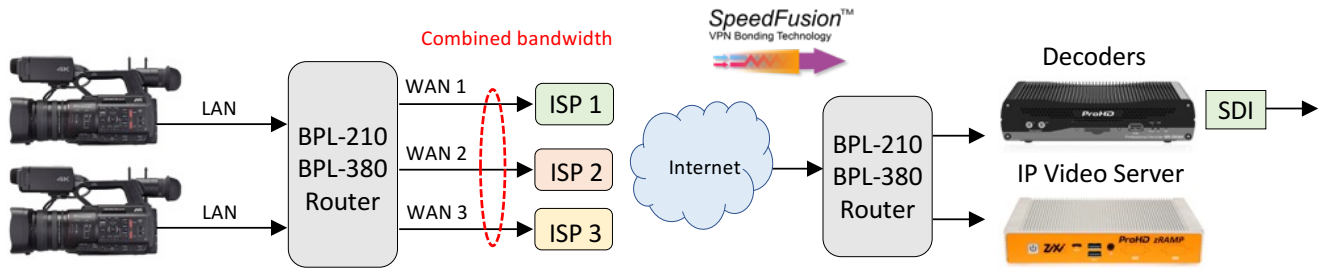
The multiple cameras Timecode (free-run mode) synced on location is embedded in the IP transport streams and synchronized by the KM-IP6000 IP Video switcher in the studio.



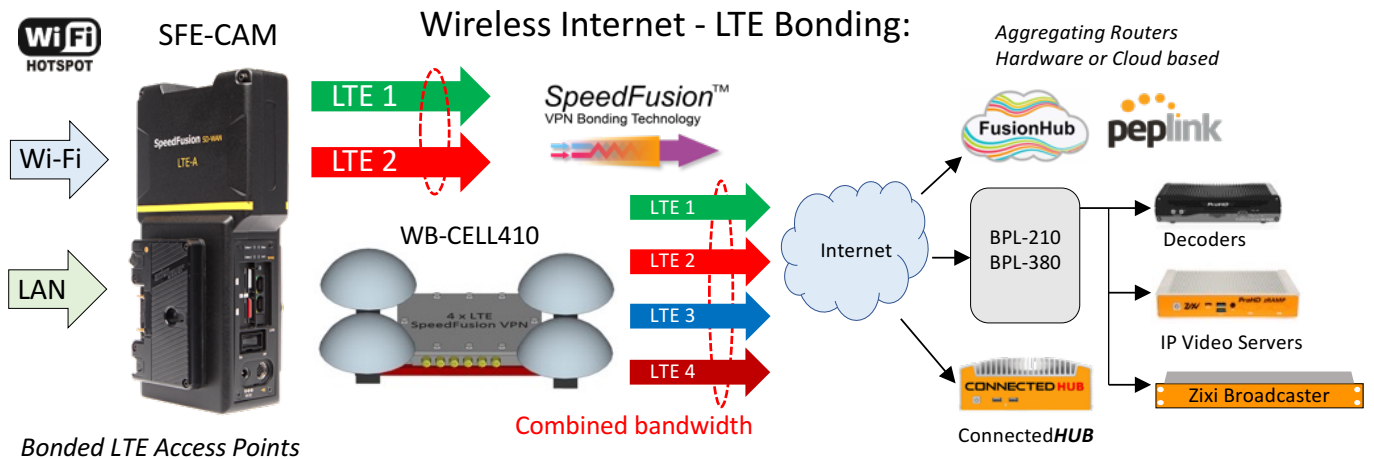
Remote / At-Home Production over IP.

Wired Broadband Internet:

When the on-location Internet connection is slow, unstable or not available, JVC can offer various solutions including multiple WANs bonding, load balancing, and LTE bonding.



Aggregating two or more ISPs provides cost-efficient bandwidth increase for long-format production.



Bonded LTE Access Points

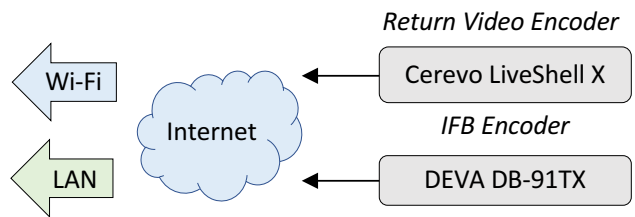
Model	LTE-A Modems	Antennas	Wi-Fi Hotspot	Power
SFE-CAM	2	Internal	Built-in	AB / V-mount battery
WB-CELL210	2	High-Gain External	WB-MAP100	12V (car installation)
WB-CELL410	4			

Bonded LTE Access Points provide full Internet connectivity for bidirectional streaming and data transfer from multiple cameras, encoders, decoders and IoT devices in the field. (based on available bandwidth)

Built-in decoder to receive Return Video and IFB over the Internet:

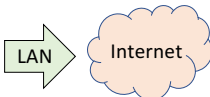
Return Video over IP display:

- EVF
- LCD
- SDI-2 / HDMI output



Encoder:

HEVC H.264 BR-EN900



Streaming directly from the camera(s) may not fit the workflow and separate encoder is needed to stream the output of a switcher or from other HD-SDI source. The BR-EN900 Encoder supports HEVC and H.264 and is fully integrated into JVC Remote Production workflow.